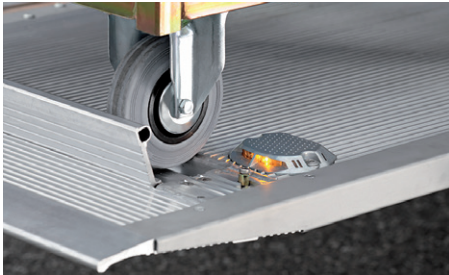


# Bär FreeAccess VanLift – Features & benefits

Because we are prepared for Canadian requirements!

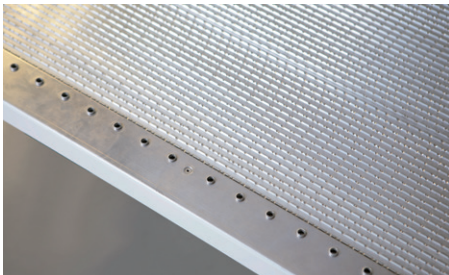
24 months  
warranty on parts  
and labour



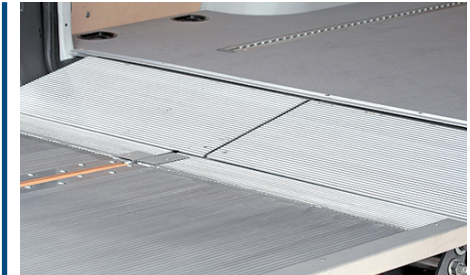
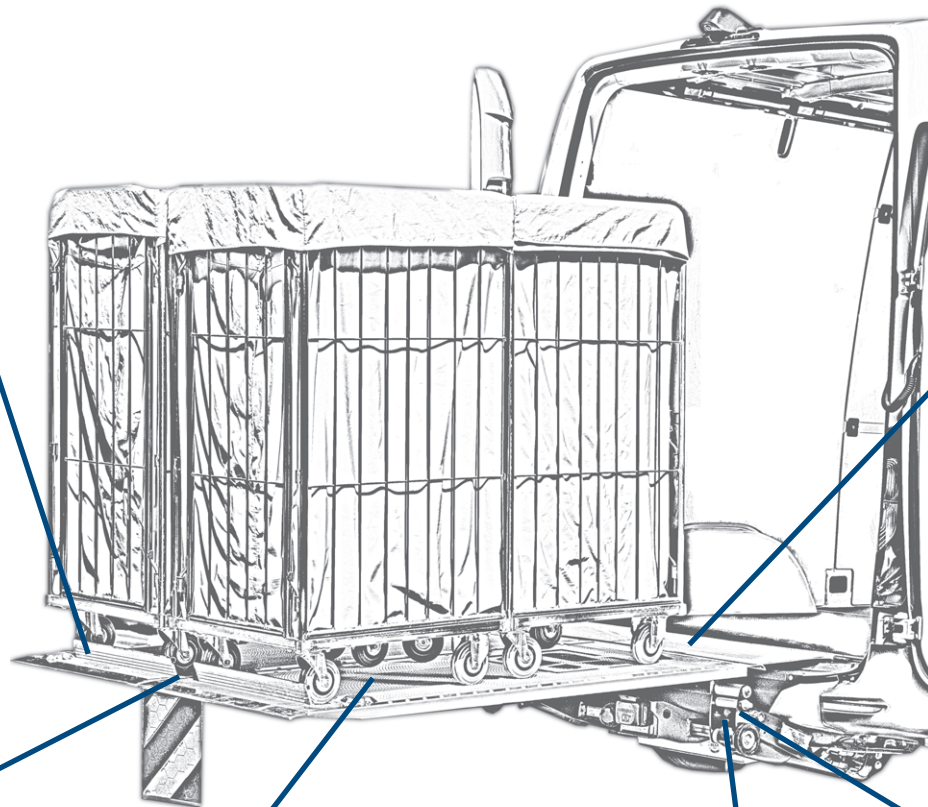
Trolley card stop for save transport of two trolleys. Alerting the surrounding in a reliable way: LED flashing light **CargoFlash**.



Even force distribution across the platform thanks to the belt hinge.



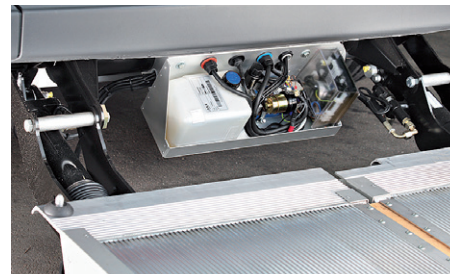
More safety and more traction on the platform by the anti-slip surface **TracGrip**.



Connecting platform and panel van while allowing free entry through the right rear door: **Bär VanBridge**.



For a flexible and safe positioning during use **Bär SmartControl** radio remote control.



**Safe protection** for power pack and control unit.



Emergency control by cable remote control.

# Bär FreeAccess VanLift BC 600 A2V – The ingenious solution for cargo vans

In stock for  
Mercedes-Benz Sprinter  
Ford Transit and  
Dodge ProMaster



If you require free access to the cargo space, but also require the ability to load or unload pallets or trolleys at any time, the Bär FreeAccess VanLift offers you unimagined freedom when using your panel cargo van. The minimal weight, quick fitment, usually without chassis work, and trailer operation still set standards in the VanLift class years after its market introduction.

Load capacity*	Load centre	Load moment
1102 lbs (500 kg)	23,62" (600 mm)	26552 lb-in (3,0 kNm)
1322 lbs (600 kg)	23,62" (600 mm)	31862 lb-in (3,6 kNm)

### Aluminium platform

Platform system	Height	Width
BAplan30VLL	71,26" (1810 mm)	52,36" (1330 mm)

### Weight with platform width 52,36" (1330 mm)

Platform height	Weight*
71,26" (1810 mm)	from 379 lbs (172 kg) on

The weight includes the standard scope of supply with cables.

\* depending on the carrier vehicle

For more detailed information about the carrier vehicles and their equipment, refer to the vehicle-specific VanLift brochure.

### The revolutionary solution

The VanLift remains stationary for loading and unloading small quantities because the loading area is accessed through the right rear door.



For large quantities, the platform is opened hydraulically with the Bär SmartControl remote control and unfolded manually.



When unfolded, the large platform provides sufficient space to load and unload one pallet with a forklift and up to four trolleys. A platform height of 71,26" (1810 mm) and a carrier vehicle with a high roof are required for transporting pallets with forklifts.

Patented.