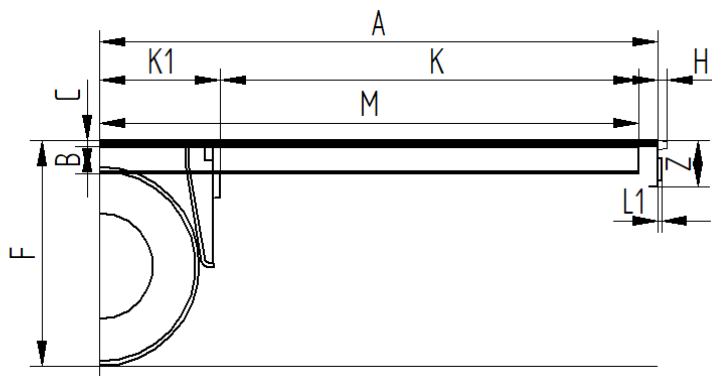
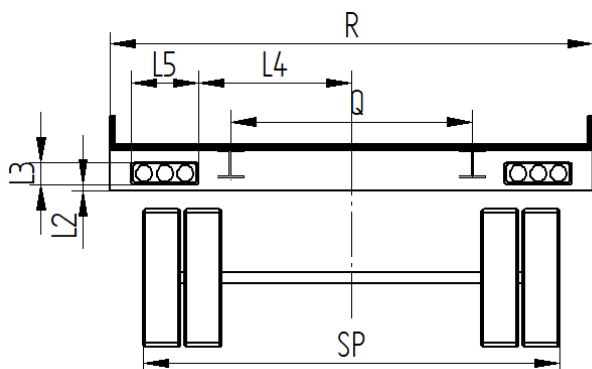


Dimensional Diagram for Trailer / Semi-Trailer / Drawbar Trailer Central Axle



Customer *	
.....	
contact data or customer no.	
Order no.	
Comm Date Signature	
Remark	

Obligatory details are marked with *	
Trailer *	
Manufacturer	
Serial no.	
Year of construction	
trailer type	
<input type="checkbox"/> trailer / semi trailer	
<input type="checkbox"/> central axle drawbar trailer	
rear suspension	
<input type="checkbox"/> leaf	
<input type="checkbox"/> air	

A	inch	*
B	inch	*
C	inch	*
F (unloaded)	inch	*
K/K1	inch	*
<input type="checkbox"/> mudguard <input type="checkbox"/> under spring bracket <input type="checkbox"/> air bag <input type="checkbox"/> stabiliser		
M	inch	*
N	inch	*
Q	inch	*
Z	inch	*
SP	inch	*

nose:

H	inch
----------	------

Light protection:

Z	inch
L1	inch
L2	inch
L3	inch
L4	inch
L5	inch

Body width

R	inch
----------	------

Cargolift *	
BC model	
Serial no.	

Platform *		
..... inch	x inch
height		width
Mounted platform		
<input type="checkbox"/> instead of doors		
<input type="checkbox"/> behind body doors		
<input type="checkbox"/> with CargoBridge on liftarm		
<input type="checkbox"/> with nose → H necessary		

